

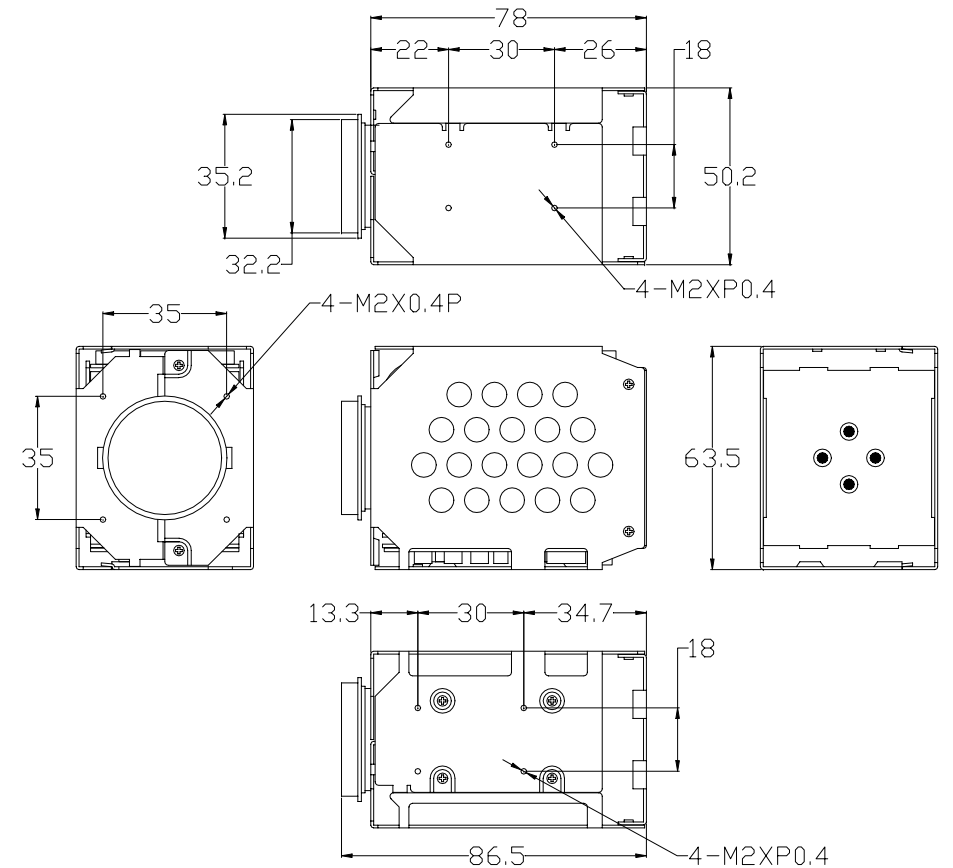
54G1HN / 54G1HP CAMERA INSTRUCTION

SPECIFICATION

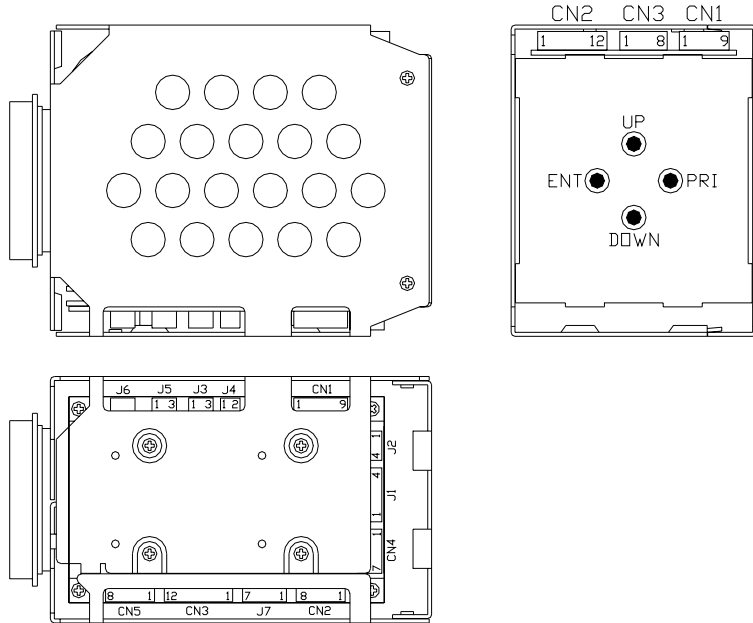
MODE NO.	54G1HN	54G1HP
TV SYSTEM	NTSC	PAL
IMAGE SENSOR	1/4-inch CCD Image Sensor	
CCD TOTAL PIXELS	811(H) X 508(V)	795(H) X 596(V)
SCANNING SYSTEM	525 lines, 60 fields/sec	625 lines, 50 fields/sec
SYNC SYSTEM	Internal / VD-Lock	
MINIMUM ILLUMINATION	Typical	1.5 Lux (F1.2, 5600°K)
	Start light Mode	0.02 Lux (F1.2, 5600°K)
RESOLUTION	480 TVL	
S / N RATIO	48dB (MIN) / 52dB (TYP) (AGC OFF , r=1 , APC OFF , Y-OUT)	
WHITE BALANCE	ATW / AWB / FIX (Zero color rolling)	
WHITE BALANCE RANGE	3200 ~ 9600 °K	
B.L.C. FUNCTION	Super BLC, 48 zone BLC	
GAMMA CORRECTION	0.45	
AGC	AUTO (18dB max)	
ALC	AUTO / FIX	
ELECTRONIC SHUTTER	AES : 1/60(1/50) ~ 1/120,000 sec. / MANU : 8 step	
LENS	Canon 22X optical ZOOM LENS ,F1.6-3.7,f=3.7-85.1mm	
MOTOR- ZOOM / FOCUS / IRIS	500,000 times life	
ZOOM	220X (22X optical 10Xdigital)	
FOCUS	Auto / Manual	
POSITION	64 Position (Zoom , Focus)	
VIDEO OUTPUT	Composite & Y/C output 1.0Vp-p at 75 ohm	
CONTRAL FUNCTION	Dry Switch , RS-232C(Drive option) , OSD control	
COMMUNICATION BAUD RATE	9600 BPS	
OPERATION TEMPERATURE	-10 TO 50	
OPERATIONAL HUMIDITY	within 85 % RH	
POWER SUPPLY	DC12V±1V / 3.6W(Max)	
DIMENSIONS	86.5mm × 50.2mm × 63.5mm	

* The specifications and appearance of the product may changed without notice.

Dimension (Unit : mm)



CONNECTOR



MAIN BOARD (CONNECTOR TO OPTION BOARD)

CN1		CN2		CN3	
1	RS232C RXD (3.3V)	1	ALARM IN (L=Alarm)	1	GND
2	RS232C TXD (3.3V)	2	+5V (POWER OUT)	2	IRIS+/- (L=-, H=+)
3	VD-IN (3.3V)	3	GND	3	NEAR / INF (L=INF, H=NEAR)
4	+12V(10%) POWER IN	4	Position Bit-2	4	TELE / WIDE (L=WIDE, H=TELE)
5	GND	5	V-Rev. (L=ON / H=OFF)	5	3.3V (POWER OUT)
6	C-out (Burst OUT)	6	H-Rev. (L=ON / H=OFF)	6	Position Bit-3
7	VBS (Video OUT)	7	Position Bit-1	7	Position Bit-4
8	Y-out (Y-signal OUT)	8	Position Bit-0	8	Position Bit-5
9	+3.3V (POWER OUT)	9	PRI (OSD BACK1)		
	* P1-P3 : H=3.3V ± 10% L=0V ± 10%	10	ENT (OSD ENTER)		NOTE1
		11	DW (OSD DOWN)		
		12	UP (OSD UP)		

NOTE1

CN3 - P2 : OPEN IS OFF , 0V-0.7V=L(-)、 2.3V-3V=H(+)

CN3 - P3 : OPEN IS OFF , 0V-0.7V=L(INF)、 2.3V-3V=H(NEAR)

CN3 - P4 : OPEN IS OFF , 0V-0.7V=L(WIDE)、 2.3V-3V=H(TELE)

CN2-P4,P5,P6,P7,P8 & CN3-P6,P7,P8 OPEN IS 3.3V

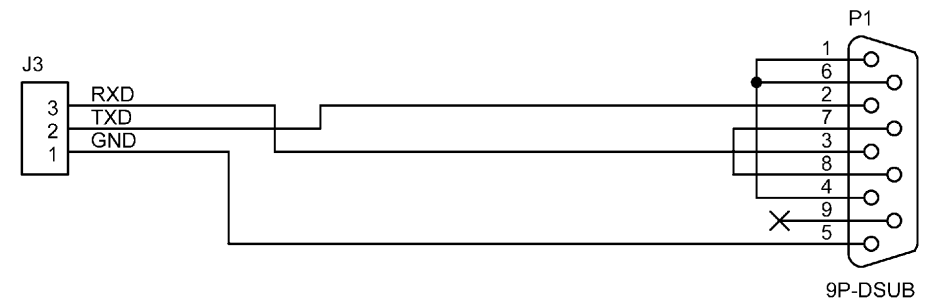
H=3.3V ± 10% / L=0V ± 10%

OPTION BOARD

J1		J2		CN4	
1	+12V (POWER IN)	1	GND	1	ZOOM+
2	GND	2	GND	2	ZOOM-
3	VIDEO - OUT	3	Y - OUT	3	FOCUS+
4	GND	4	C - OUT	4	FOCUS-
				5	IRIS+
				6	IRIS-
				7	-----
				CONNECTOR TO LENS CONTROL BOX	

CN1		CN2		CN3	
P1-P9	MAIN - CN1	P1-P8	MAIN - CN3	P1-P12	MAIN - CN2
CONNECTOR TO MAIN BOARD					

CN5		J7		J5		J3		J4		J6	
1	PRI - (OSD)	1	GND	1	GND	1	GND	1	AC-IN	AC Signal Input for LINE-LOCK	NOT RELEASE
2	ENTER - (OSD)	2	Position-Bit5	2	RXD	2	TXD	2	AC-IN		
3	DOWN - (OSD)	3	Position-Bit4	3	TXD	3	RXD				
4	UP - (OSD)	4	Position-Bit3	RS-232C TTL Level Not Driver	RS-232C Include Driver						
5	H-REV	5	Position-Bit2								
6	V-REV	6	Position-Bit1								
7	ALARM - IN	7	Position-Bit0								
8	GND										



9P-DSUB

OSD FUNCTION SPECIFICATIO

[UP] : UP & RIGHT MOVE KEY
 [DOWN] : DOWN & LEFT MOVE KEY
 [ENTER] : ENTER KEY
 [PRI] : PRE CONFIRM KEY

Push [ENTER] key 2sec. to get Into the MAIN menu.

Push [PRI] key 2sec. to leave menu.

If pushed [PRI] key, all set parameter data will be abandoned and return back to the previous menu page, this will occur while setting the parameter and without push [ENTER] key.

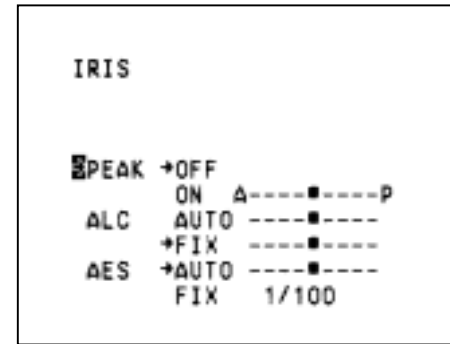
- [01]. MAIN MENU
- [02]. IRIS SELECT MENU
- [03]. BLC SELECT MENU
- [04]. AGC, SENS SELECT MENU
- [05]. COLOR SELECT MENU
- [06]. APC SELECT MENU
- [07]. LENS SELECT MENU
- [08]. REV. SELECT MENU
- [09]. POSITION SELECT MEMU
- [10]. TITLE SELECT MENU
- [11]. PRESET SELECT MENU

[01]. MAIN MENU



Push [ENTER] 2 senc, get into the main menu
 There are 10 items on the main menu, by up / down key to select item and push [ENTER] key to get into sub-item menu.

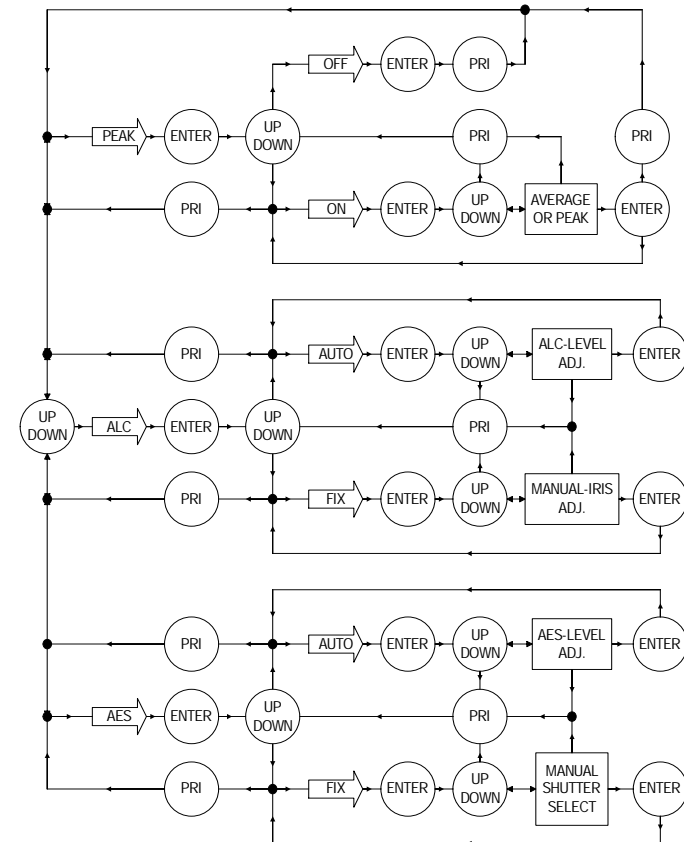
[02]. IRIS SELECT MENU



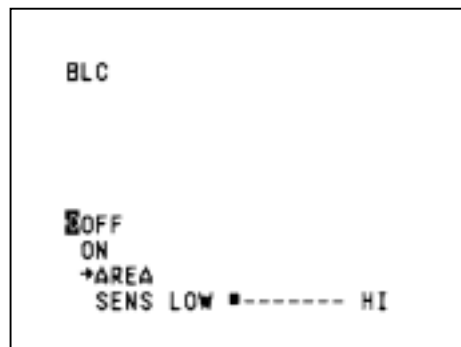
This is used to control the iris & shutter speed of the lens. It included 3 items "PEAK", "ALC", "AES".
 "PEAK" is used to control the reaction of auto iris, which is based on the average light of picture signal or the light rate of the peak. Please refer to [Fig 2-1] chart.
 "ALC" is used to select AUTO or MANUAL function. Please refer to [Fig 2-1] chart.
 "AES" is used to select electronic shutter be AUTO or MANUAL function. Please refer to [Fig 2-1] chart.
 (MANUAL: [OFF], [1/100(1/120)sec], [1/250sec], [1/1000sec], [1/2000sec], [1/4000sec], [1/10000sec].)

After setting, push [PRI] key to go back to the main menu page.

Fig 2-1

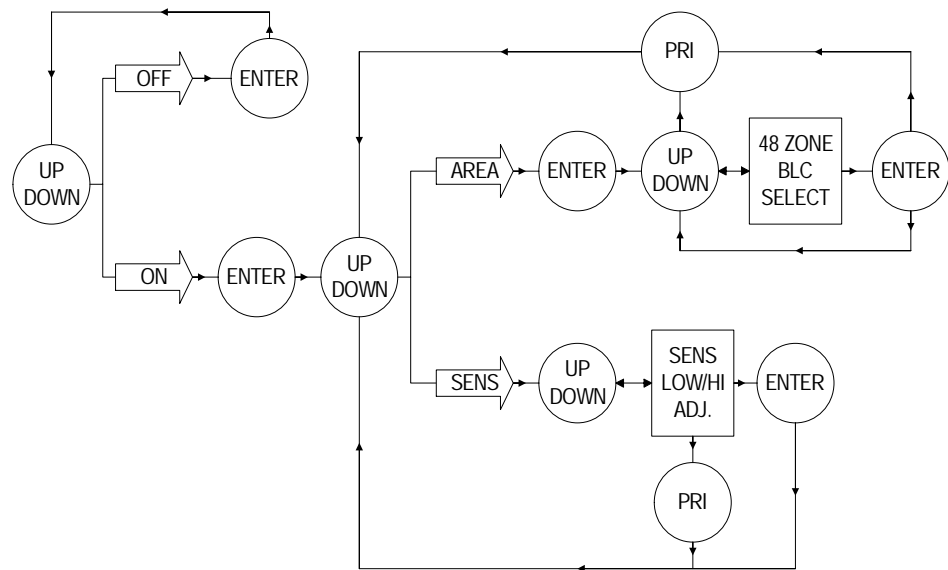


[03]. BLC SELECT MENU

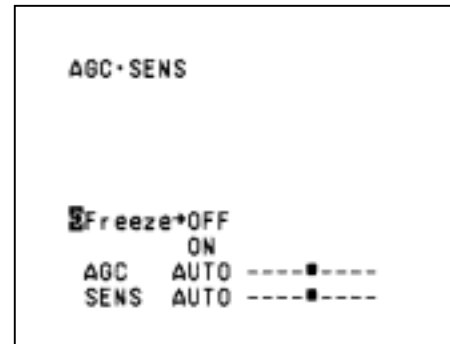


This is used to control "BLC" (Back Light Compensation), "ON" / "OFF"
 "ON" has 2 sub-items: "AREA", "SENS"
 "AREA" : 48 BLC zones can be set separately.
 According to the mask area (BLC zone) signal to decide the iris and shutter speed.
 "SENS": Is used to enhance the BLC effect.
 Please refer to [Fig 3-1] chart.
 After setting, push [PRI] key to go back to the main menu page.

FIG 3-1



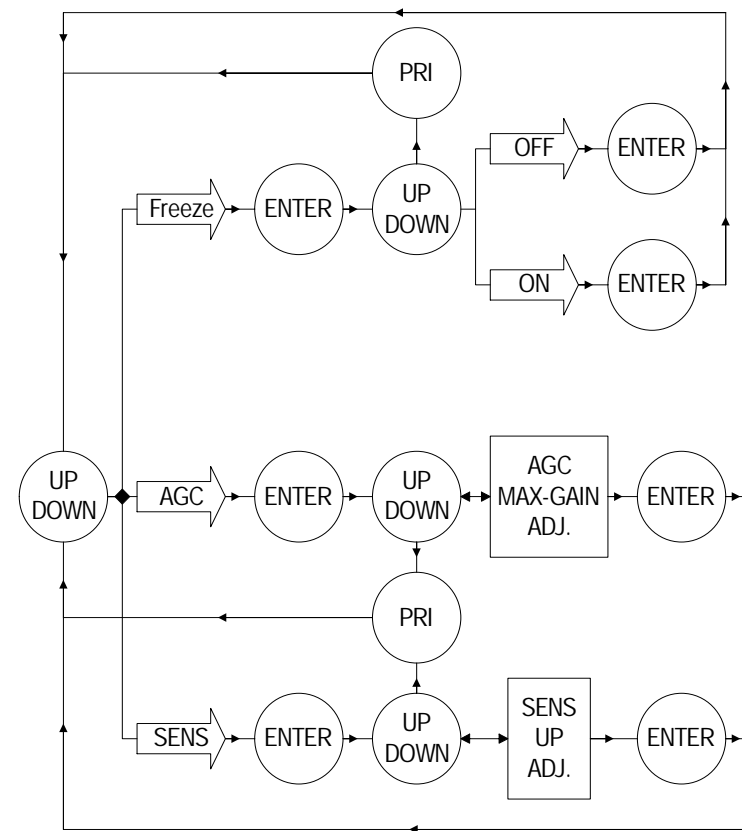
[04]. AGC, SENS SELECT MENU



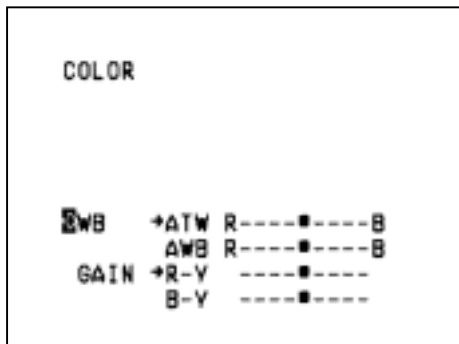
This is used to select "AGC", "SENS", "FREEZE" function.
 "AGC": To adjust auto gain control: 0dB, 2.25dB, 4.5dB, 6.75dB, 9dB, 11.25dB, 13.5dB, 15.75dB, 18dB, 9 steps adjustable.
 "SENS": For low light application: 0 Frame, 6 Frame, 12 Frame, 16 Frame, 18 Frame, 22 Frame, 24 Frame, 30 Frame, 36 Frame, 9 steps adjustable.
 "FREEZE": ON (Freeze)/OFF (Freeze off)
 Please refer to [Fig 4-1] chart.

After setting, push [PRI] key to go back to the main menu page.

Fig 4-1



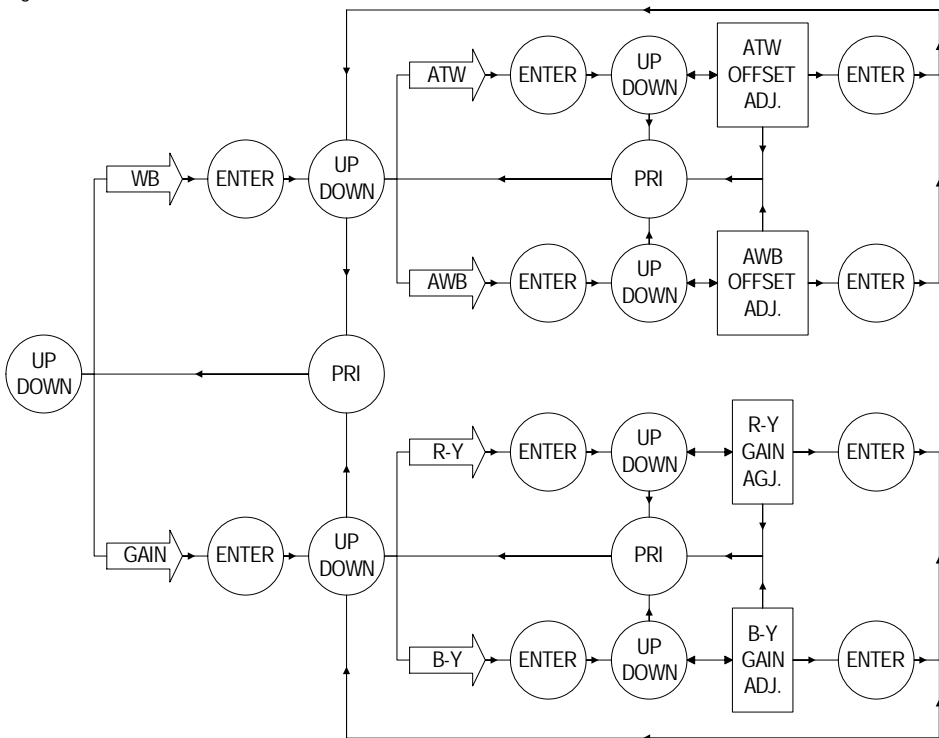
[05]. COLOR SELECT MENU



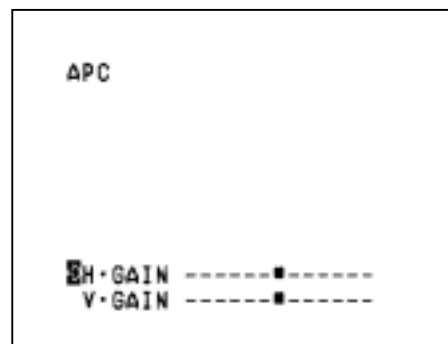
This is used to control the white balance and the gain rate of "RED" & "BLUE" color.
 "WB": White balance control: "ATW" / "AWB"
 ATW: Auto trace white balance
 AWB: One push white balance. Push "ENTER" key "AWB" will start flicker, until flicker stop it will lock the current color temperature at the same time.
 "GAIN": The gain rate of "RED" & "BLUE" can be adjusted separately.
 Please refer to [Fig 5-1] chart.

After setting, push [PRI] key to go back to the main menu page.

Fig 5-1



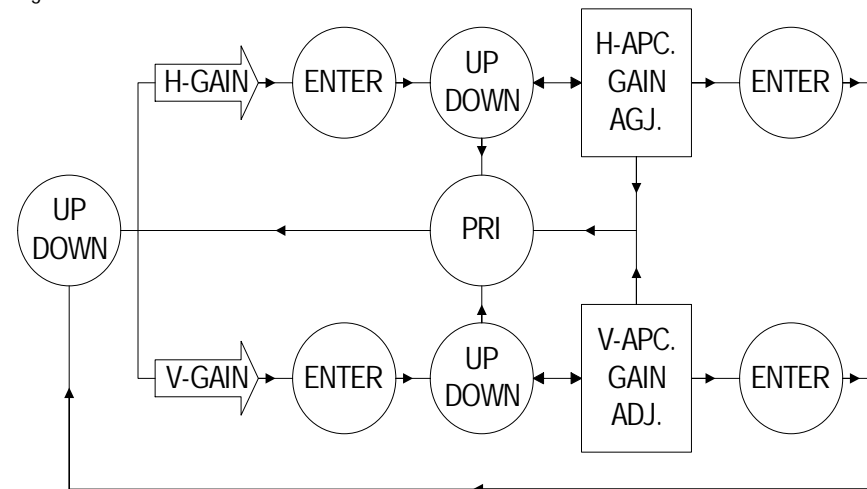
[06]. APC SELECT MENU



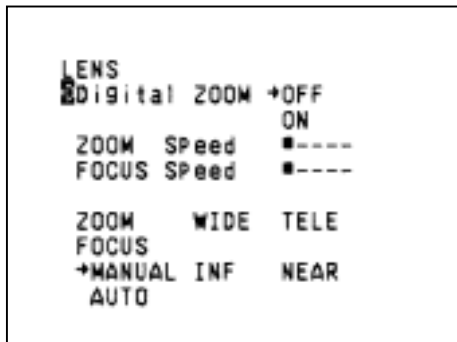
This is used to enhance the compensation of the picture quality.
 "H • GAIN": Horizontal Compensation
 "V • GAIN": Vertical Compensation

Please refer to [Fig 6-1] chart.
 After setting, push [PRI] key to go back to the main menu page.

Fig 6-1



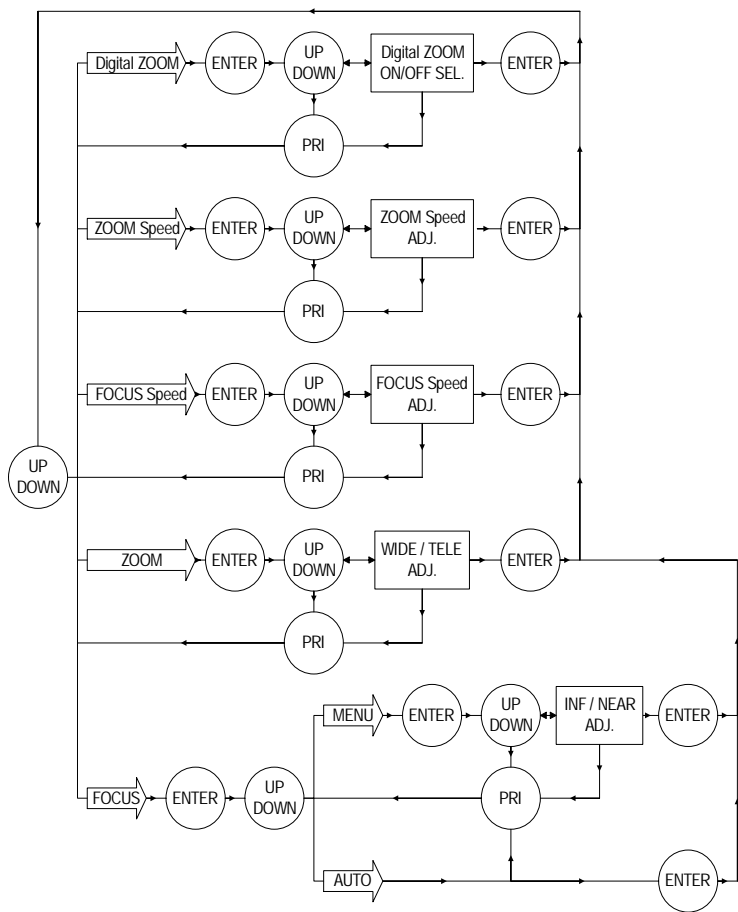
[07]. LENS SELECT MENU



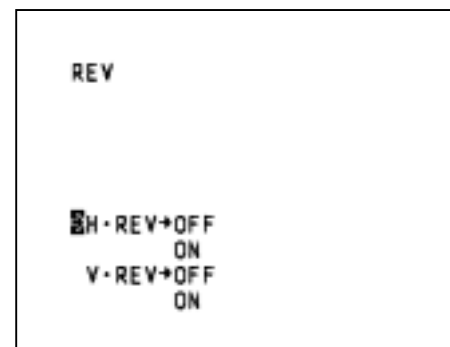
This is used to control the motion of the lens, included "Digital ZOOM" ON/OFF function.
 "ZOOM Speed": Set the speed of the zoom
 "FOCUS Speed": Set the speed of auto-focus
 "ZOOM": WIDE / TELE
 "FOCUS": AUTO / MANUAL setting

Please refer to [Fig 7-1] chart.
 After setting, push [PRI] key to go back to the main menu page.

Fig 7-1



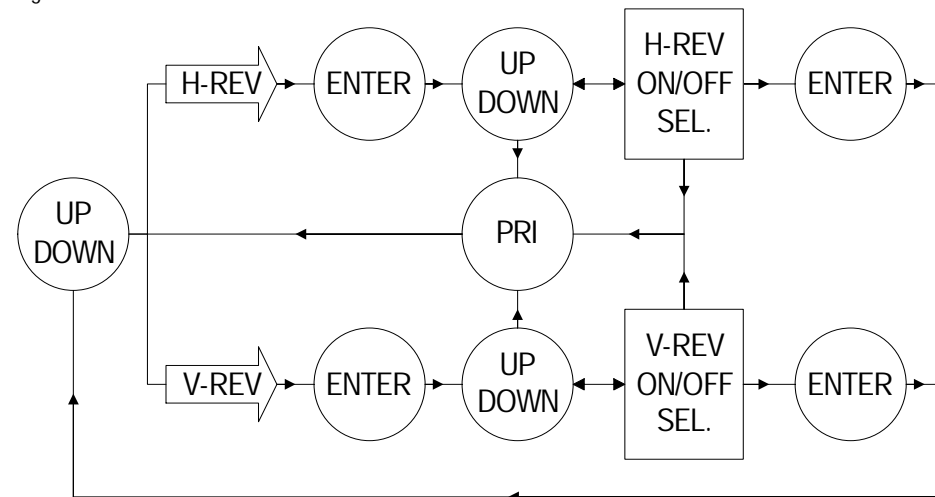
[08]. REV. SELECT MENU



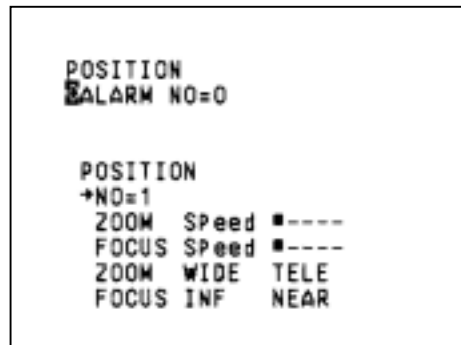
This is used to select "Horizontal Reverse" and "Vertical Reverse" function.
 H.REV: Horizontal Reverse (Mirror) ON/OFF
 V.REV: Vertical Reverse (Up-side down) ON/OFF

Please refer to [Fig 8-1] chart.
 After setting, push [PRI] key to go back to the main menu page.

Fig 8-1



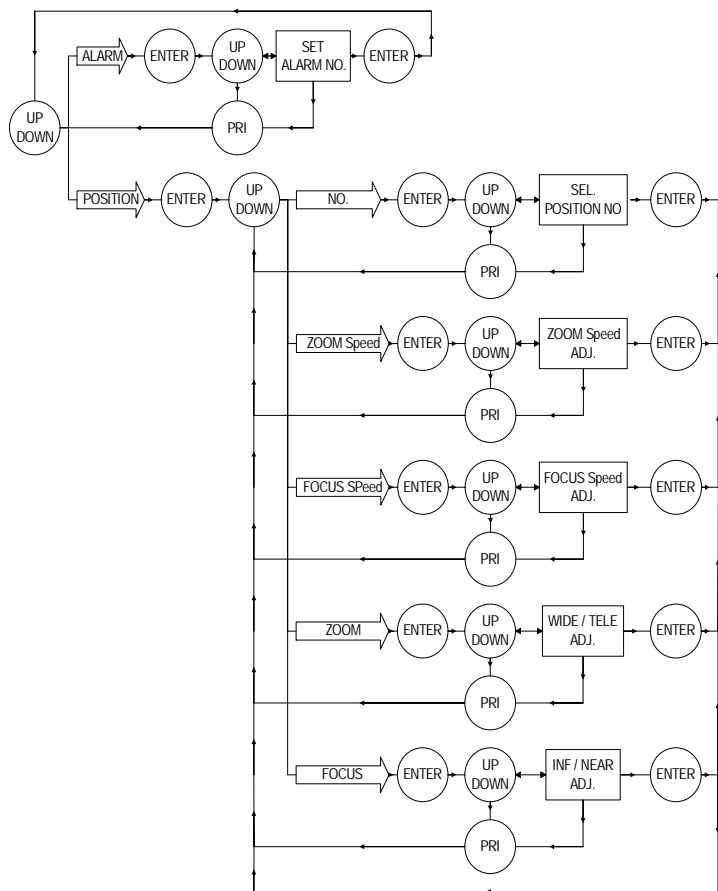
[09]. POSITION SELECT MEMU



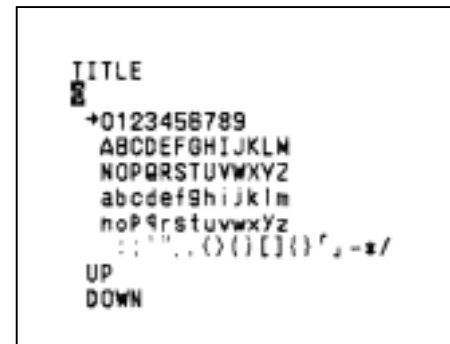
This is used to set up the alarm position. There have 64 steps (position) can be programmed. By this program, the zoom & focus may go to the exactly position where is programmed.

Please refer to [Fig 9-1] chart. After setting, push [PRI] key to go back to the main menu page.

Fig 9-1



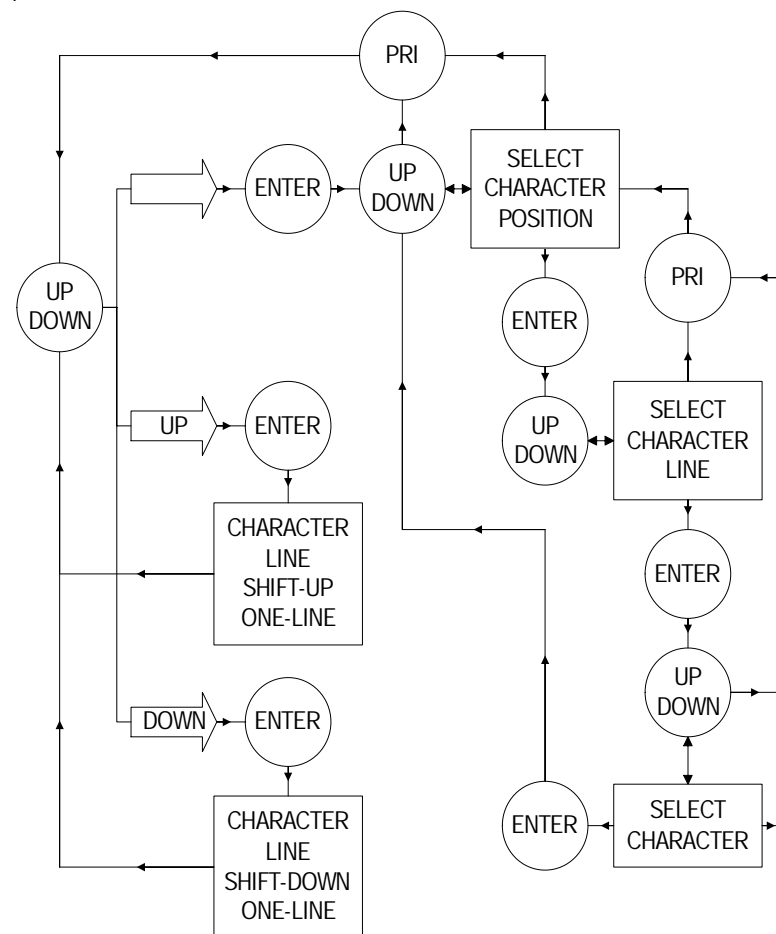
[10]. TITLE SELECT MENU



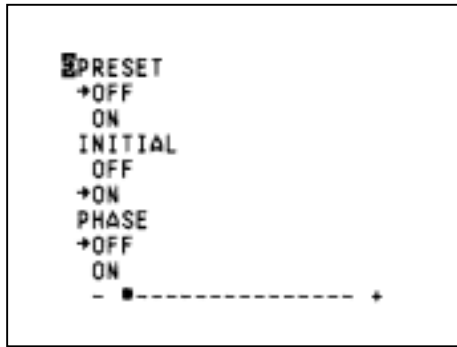
This is used to set up the ID figures & position on the screen. (Title setting)

Please refer to [Fig 10-1] chart. After setting, push [PRI] key to go back to the main menu page.

Fig 10-1



[11]. PRESET SELECT MENU



This is used to select the camera go back to "PRESET", "INITIAL", "PHASE" condition

Please refer to [Fig 11-1] chart. After setting, push [PRI] key to go back to the main menu page.

FIG 11-1

